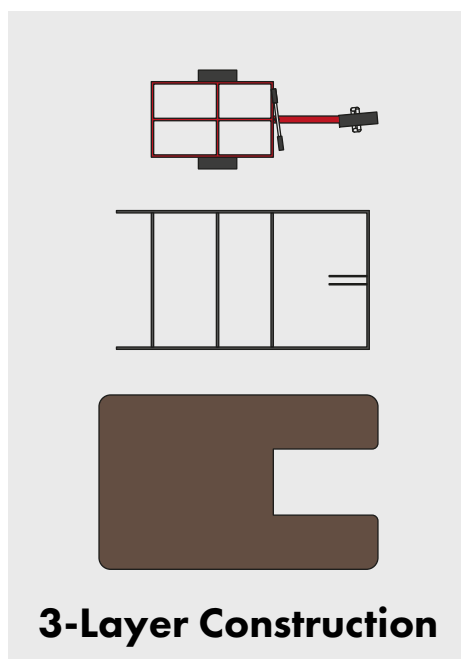
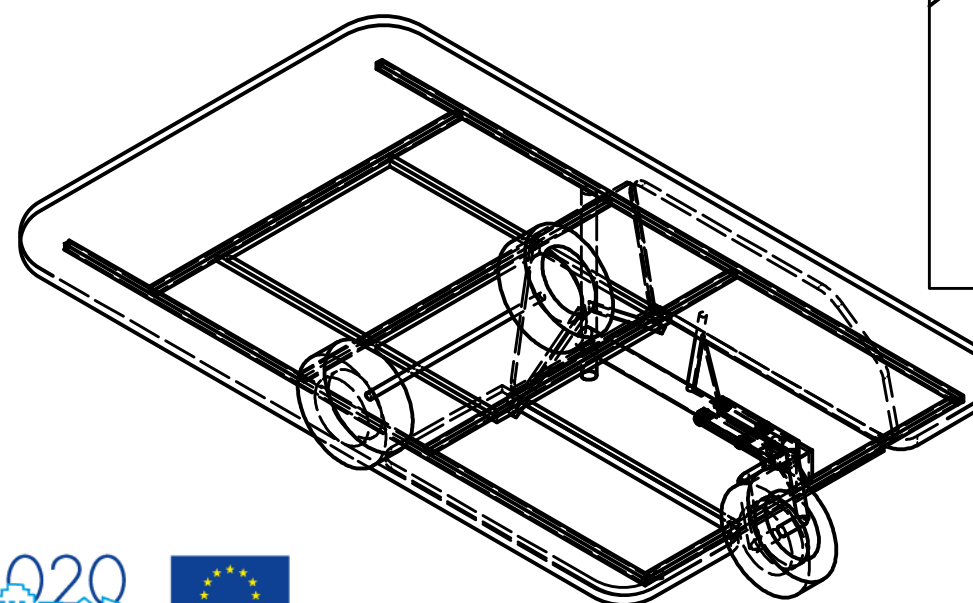
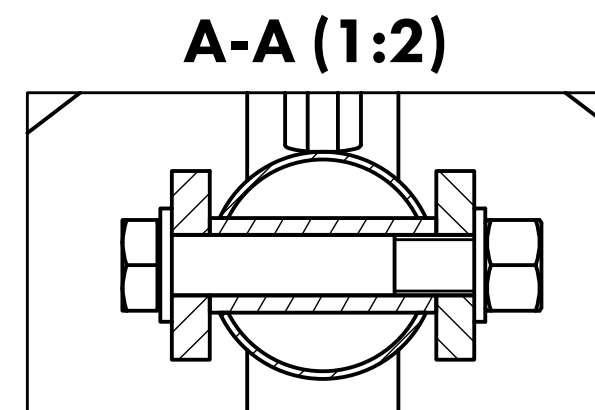
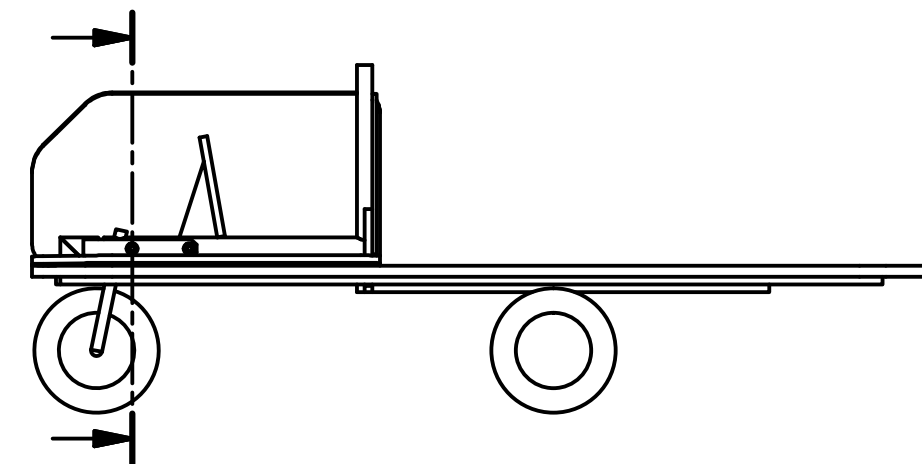
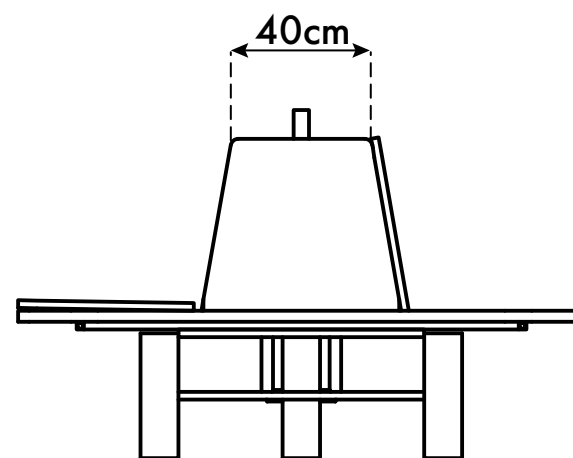
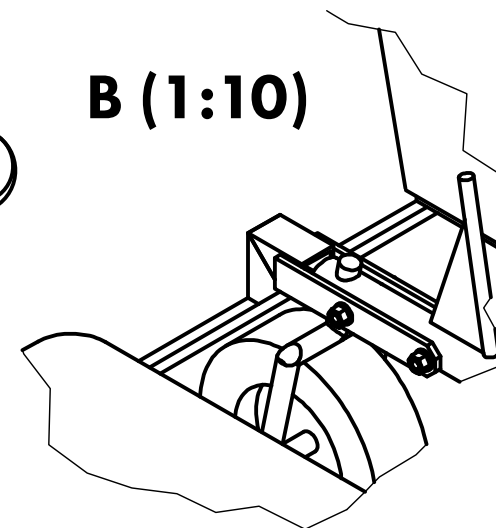
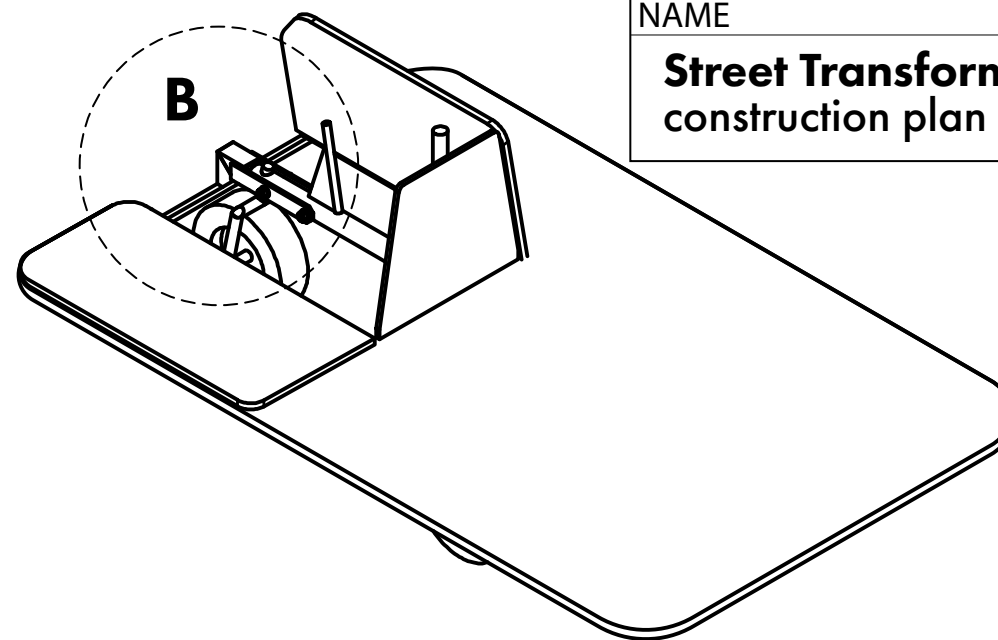
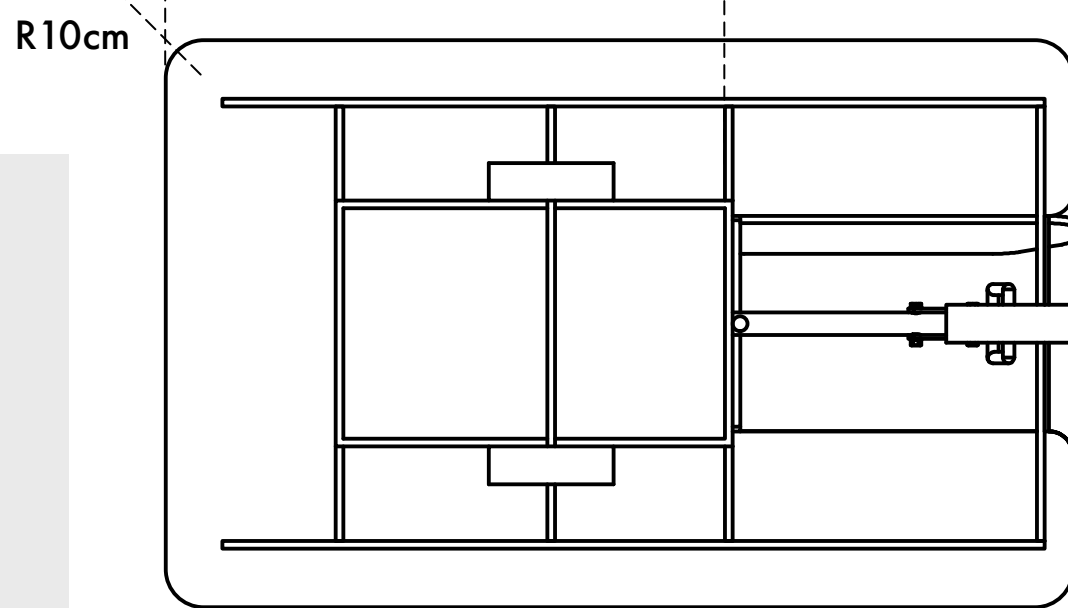
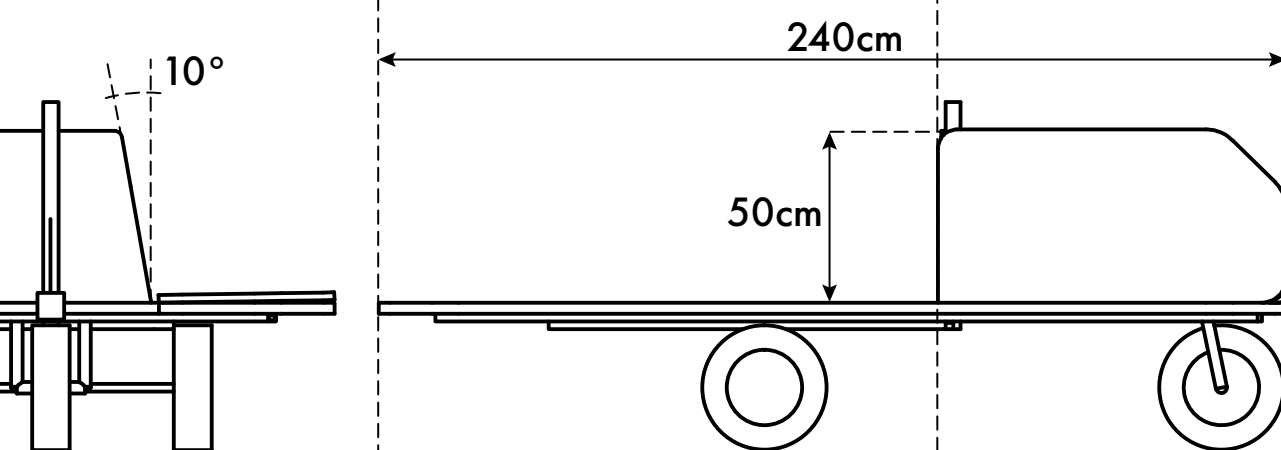
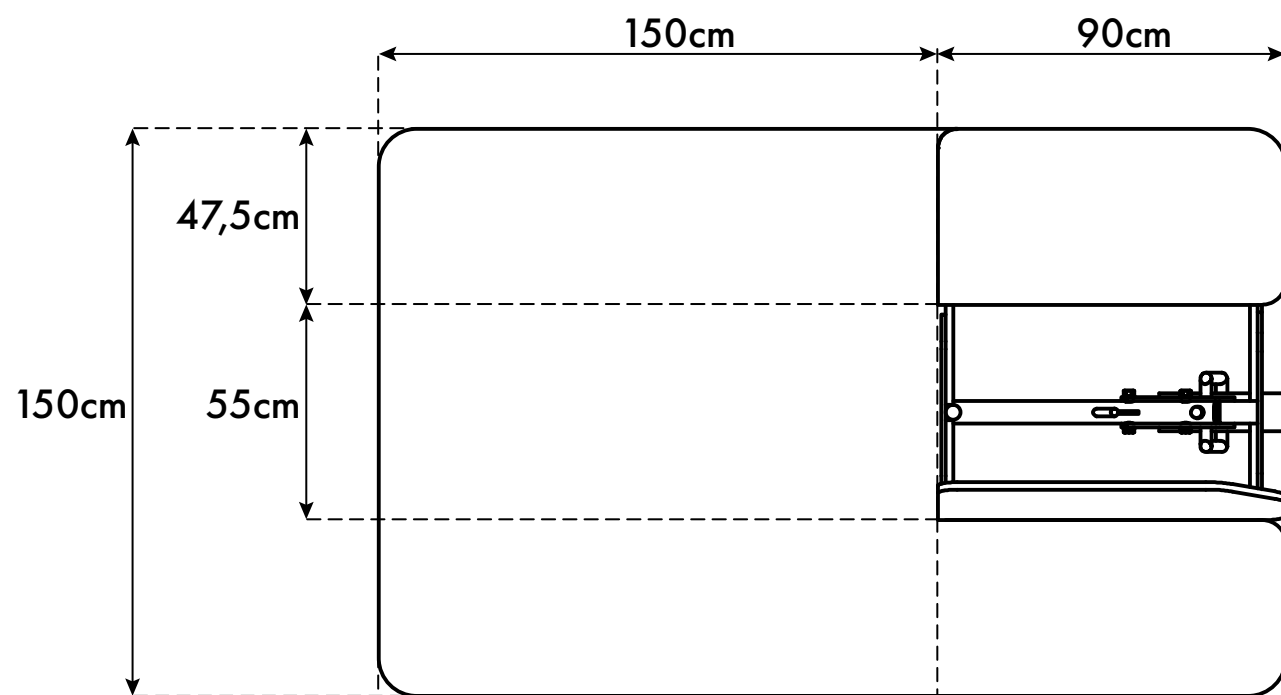


NAME	SIZE	SCAL
Street Transformer construction plan	A3	1:200



3-Layer Construction



This project has received funding from the European Union's Horizon 2020 research and innovation programme under grant agreement No. 723375

in Kooperation mit:

